

# SMHC50V-D

## SANY Material Handling Machine

50V-D series is fully electric, equipped with different grabs for the loading and unloading of bulk cargo and steel scrap at inland ports. The whole machine is driven by electric motor, zero emission, green and eco-friendly, compared with the conventional internal combustion engine, the power cost is 50% decreased.



1

**Cost saving**  
electric drive, high efficiency and energy saving, saving more than 65% per hour compared to fuel vehicles.

2

**Faster response:**  
the response time of each action is as low as 300ms.

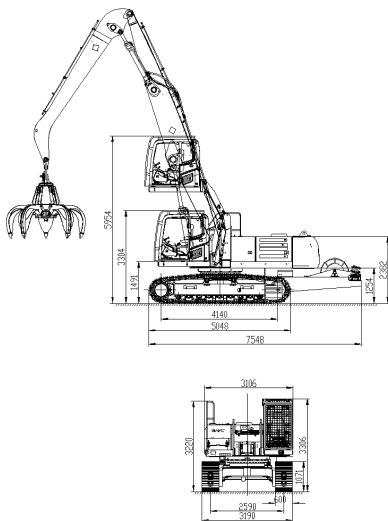
3

**Track chassis:**  
Travel speed is 5km/h, easy to move.

## ► Product Parameters

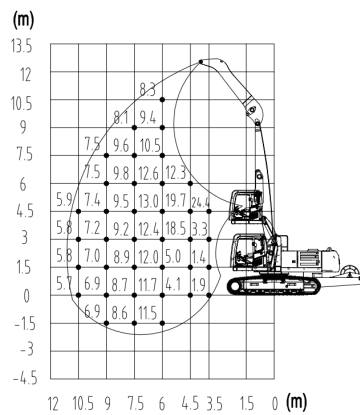
Technical Parameter				Configuration Parameter				
ITEM		UNIT	SMHC50V-D	CONFIGURATION		UNIT	SMHC50V-D	
Power System	E-Motor	Model	-	XEMC	Slewing Gear	Slewing Bearing	-	Sany
		Rated Capacity	kW/rpm	160/1480		Max. Rotating Speed	rpm	8
		Input voltage	V/Hz	380/50	Cabin	Cabin Lift Height	mm	2650
		Type Of Start	-	Soft Start				
Traveling Gear	Working Gauge	mm	2590	Basic Parameters	Boom Configuration	m	11	14
	Wheel Base	mm	4140			m	Boom 7	Boom 8.6
	Track Width	mm	600			m	Stick 4.5	Stick 6
	Max. Travelling Speed	km/h	5		Max. Operating Radius	m	10.5	13.5
Hydraulic System	Type Of Control	-	Electronically Controlled Positive Flow System		Max. Operating Height	m	12	15
	Main Pump	Model	-		Kawasaki	Max. Operating Depth	m	-1.5
		Rated Flow	L/min	2×297	Max. Operating Radius (Grab Not Included)	t	5.9	4.1
	Main Valve	-	Kawasaki					
	Reducer	-	Sany					
	Max. System pressure	MPa	32					
	Hydraulic Oil Tank	L	310					

## ► Dimensions



## ► Scope Of Work

**SMHC50V-D Lift capacities of material handler**  
(Boom 7m, Stick 4.5m, Unit:t)



**SMHC50V-D Lift capacities of material handler**  
(Boom 8.6m, Stick 6m, Unit:t)

